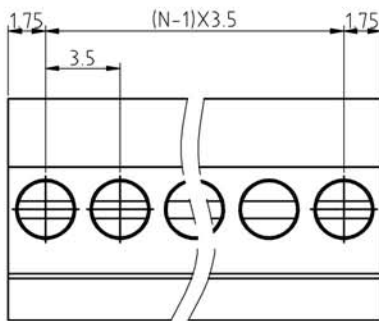
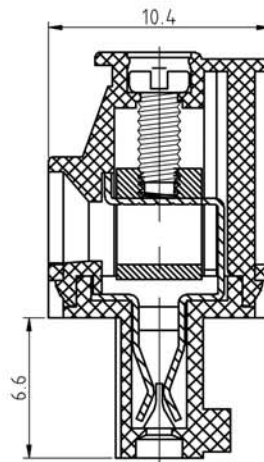
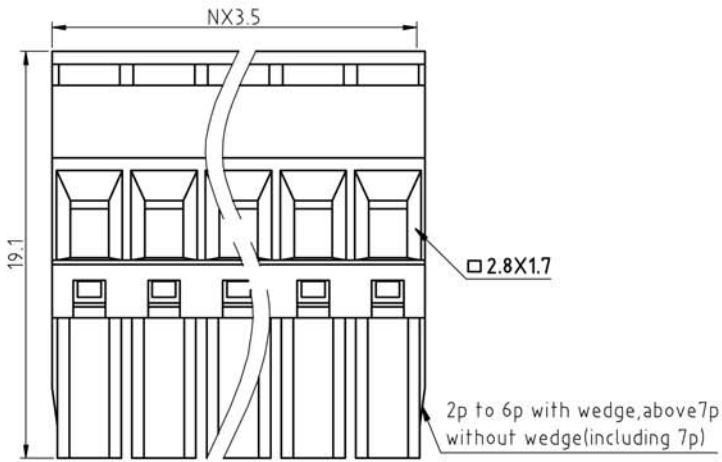
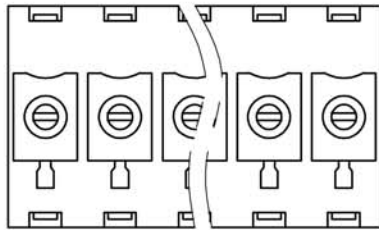


SIGN	DESCRIPTION	DATE	APPROVER



N=Number of contacts

Technical Data:

Material:

Contact(metal housing): Copper Alloy,Ni plated.
Terminal screw: Steel galvanized with Cr3+ plated
Wire guard: Copper Alloy,Tin plated.
Insulator body(housing): Polyamide(UL94V-0)

Electrical

Voltage rating: 300VAC
Current rating: 12 Amps/way max
Contact resistance: 20mΩ (max)
Withstanding Voltage: 2500VAC(1min) Test time=60sec/1pcs
Wire range: 16-24AWG

Mechanical:

Torque: 2.5kgf.cm/M2
Operating temperature: -40°C to +105°C
Soldering reliability:
Test temperature= 250°C±10°C
5 seconds max

Ordering Information:

F73-D-3 XX-X 0 0 X 0

2 02 ——— 5 Green
4 04 ——— 6 Blue
20 20 ——— A Black
1 "—"Screw
2 "-/+"Screw

WELINK 上海拓尔普电子科技有限公司
Welink International Co.,LTD.

TOLERANCE	APPROVED:	NAME:
X ±0.50	CHECKED:	F73-D Pitch 3.5mm Series
X.X ±0.30	DRAWN: Yang Ming 2012.06.20	
X.XX ±0.20	UNITS: mm	PART NO: F73D3XX100X0
X° ±1°	REV: A	DWG NO: 9F73D3001A
⊕	SCALE: 4 / 1	PAGE: 1 / 1